

**GROVE**

ABDECKUNG 2,55M  
COVERING 2,55M

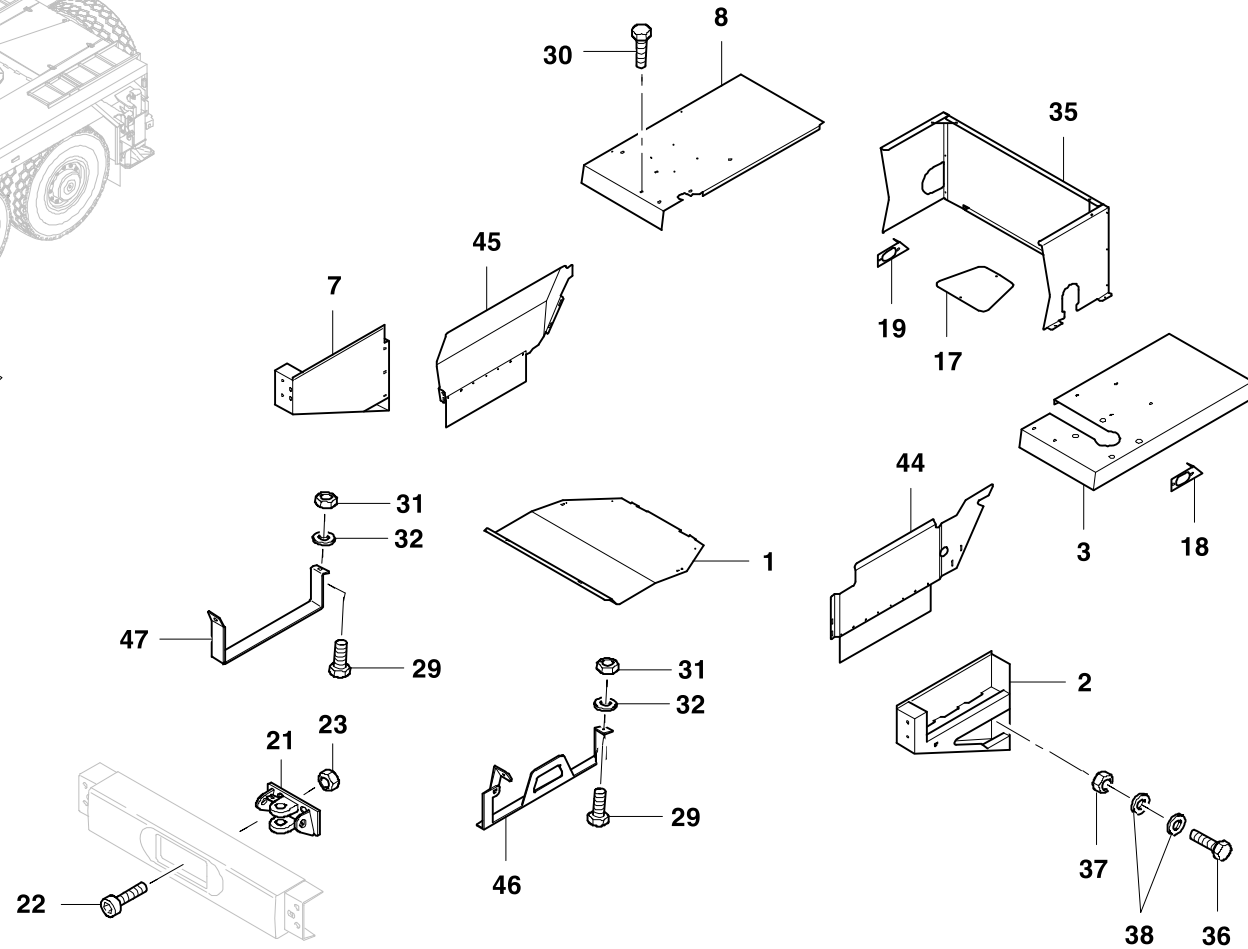
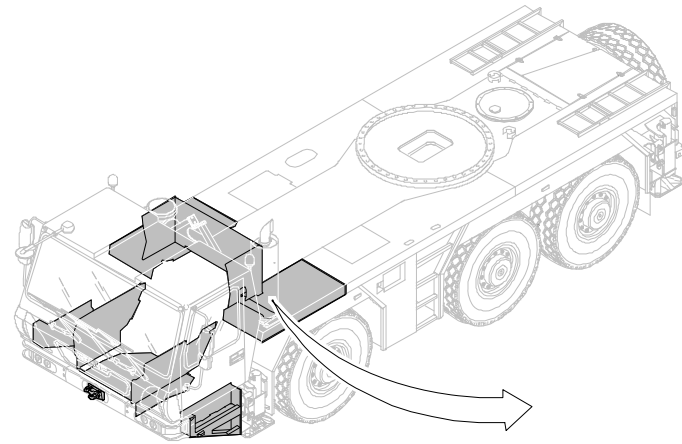
BILDТАФЕЛ  
PICTORIAL DISPLAY

05.09

**3152003-ETL A**

1/2

**GMK 3055**  
**BE 503**  
**G 034**



**GROVE**

ABDECKUNG 2,55M  
COVERING 2,55M

BILDTAFEL  
PICTORIAL DISPLAY

05.09

**3152003-ETL A**

2/2

**GMK 3055**  
**BE 503**  
**G 034**

